

**EP40 SERIES**  
EXPLOSION PROOF LIGHT  
(40W)



**ELECTRICAL STATS**

Model	EP40
Power	40W
Input voltage	100-277VAC
Frequency	50/60Hz
Power Factor	>0.98
THD	<10%
Current	0.4A
LED driver	Meanwell HLG series
LED chip	Bridgelux 3535
LED quantity	24pcs
Lumen	4000lm
Light efficiency	100lm/W
CCT	2800K,3300K,4000K, 4500K,5500K, 6500K,optional
CRI	>73
Beam angle	120°x120°, 60°x30° with RF

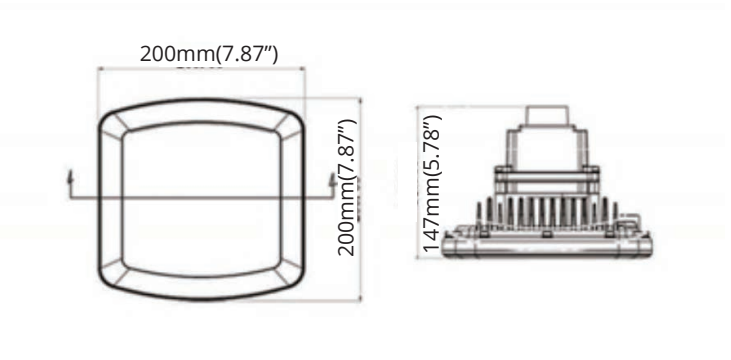
**DESCRIPTION**

Our EP40 40W explosion proof light has high efficacy, low decay and a long life span. Rated for Class I Div 2 Group A, B, C, D. Built with an aluminum alloy housing and tempered glass. The EP40 series is IP68 and IK09 and outputs 4000lm.

**FEATURES**

- Class I Div 2 Group A, B, C, D
- Housing: explosion proof aluminum alloy
- Glass: tempered glass. >95% light transmit, shock and vibration resistant
- LED: LM80 certified, high efficacy, low decay. >50,000hrs lifespan
- PCB: aluminum thickness 2.5mm, copper 2oz, heat transmit >2.5
- Driver: Meanwell HLG series, >90% driver efficacy, UL certified

**DIMENSIONS**



**ORDERING INFORMATION**

SERIES	VOLTS	WATTS	COLOR
EP100	XXX	XXX	XX
	100 = 100-277VAC	40 = 40W	28 = 2800K 30 = 3000K 40 = 4000K 45 = 4500K 55 = 5500K 65 = 6500K